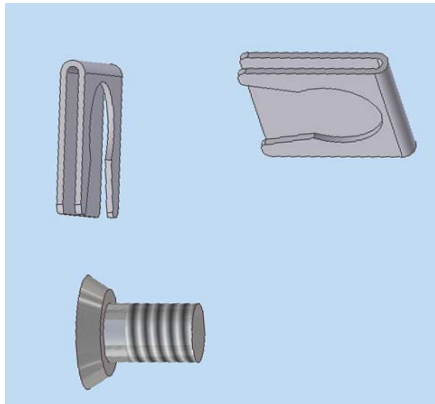




*Quality and Value
Through Engineering*

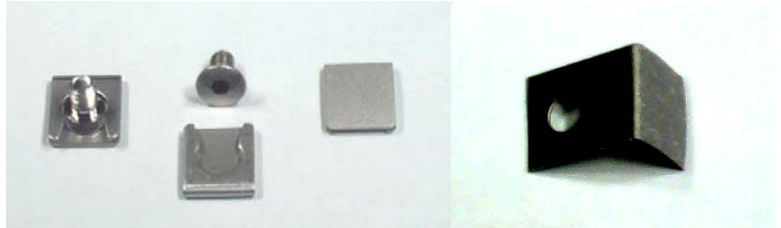
- ◆ **Lowers Particulants**
- ◆ **Bead Blasted for Better Adhesion**
- ◆ **Protects Screw Heads**



You can see in the drawing above that a little of the bottom of the screw head has been machined off to accept the Screw Shield that just clips on.

Novellus – Physical Vapor Deposition 3180 & 3190

Signet Screw Shields



Signet Cavity Screw Shields

Signet makes screw shields for the Cavity Shield that protect the screws. Pictures above from left to right above are a 33-1221 screw assembled with the 33-2209 clip-on screw shield, the 33-1221 screw snaps over the slot it clips onto on the 33-2009 shield, and the bead blasted surface of the 33-2209 shield. The Picture on the right is the lower cost 33-1235 fold-over shield. Both of these screw shields are bead blasted to offer better adhesion to improve capture of the sputtering material buildup.

Signet P/N	OEM Part #	Description
33-1235	N/A	Screw Shield, 0.196 Hole, Bead Blasted
33-1221	04-712210-01 Ref.	Modified Screw, SocFH 10-32 X 3/8
33-1221W	04-712210-02 Ref.	Modified, SocFH 10-32 X 3/8 WS2
33-2209	04-712209-02	Screw Shield (mates w W33-1221 Screw)



Heater Screw Shields

Signet also makes these two fold-over screw shields for the Heater Shield pictured above. The 33-1234 on the left is a lower cost version, which is not bead blasted, and the 33-1234A on the right is bead blasted.

Signet Part #	OEM Part #	Description
33-1234	N/A	AL Heater Screw Shield, Not Bead Blasted
33-1234A	N/A	AL Heater Screw Shield, Bead Blasted

Ref. = Design Alteration of OEM Part

Signet Products Inc.

2 Davis Drive
Belmont, CA 94002

PDScrewshields Revised 08/14/06

Phone 650 592-3575

Fax 650 592-7223

e-mail sales@signetproducts.com

Web www.signetproducts.com